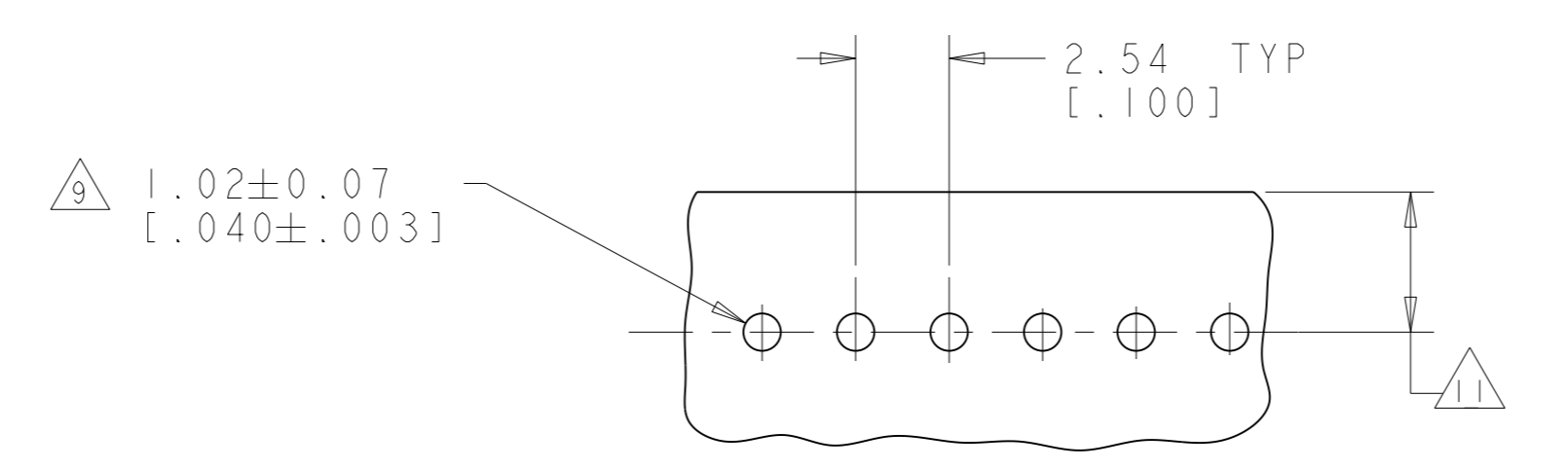
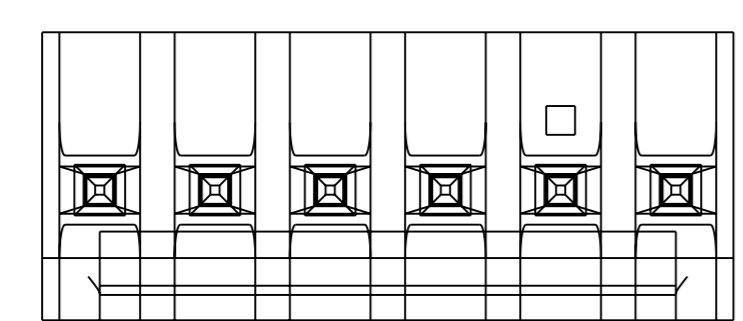
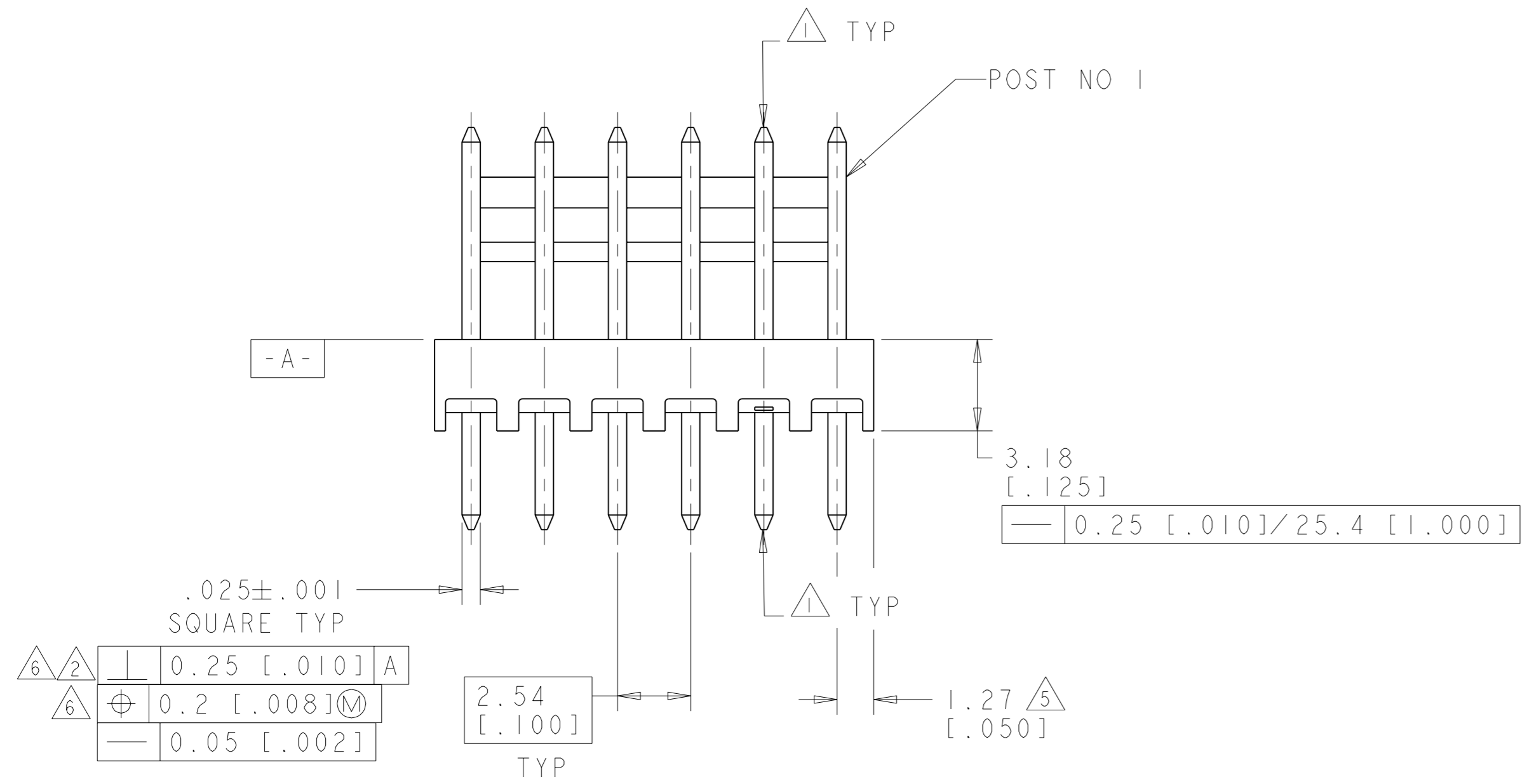
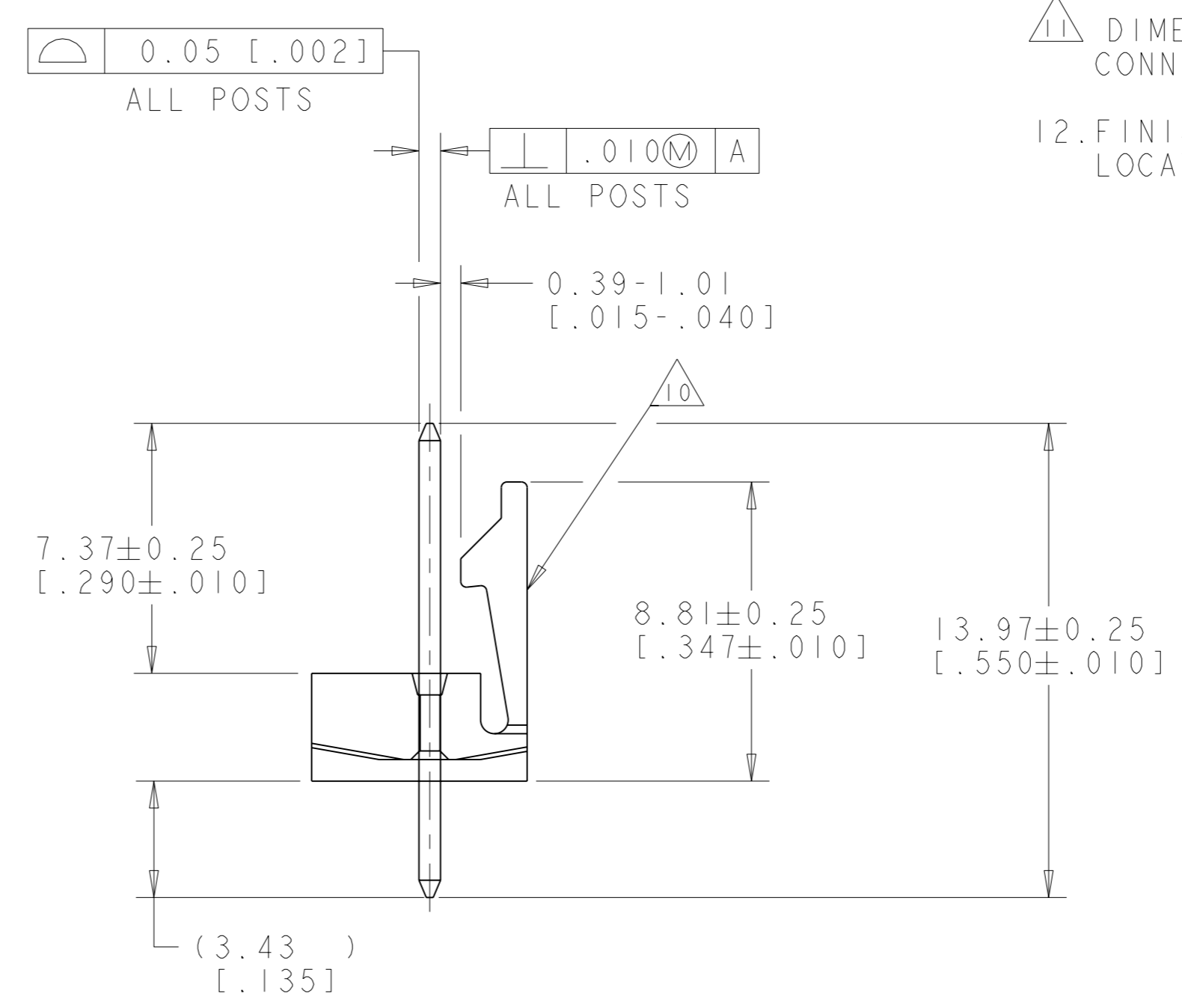
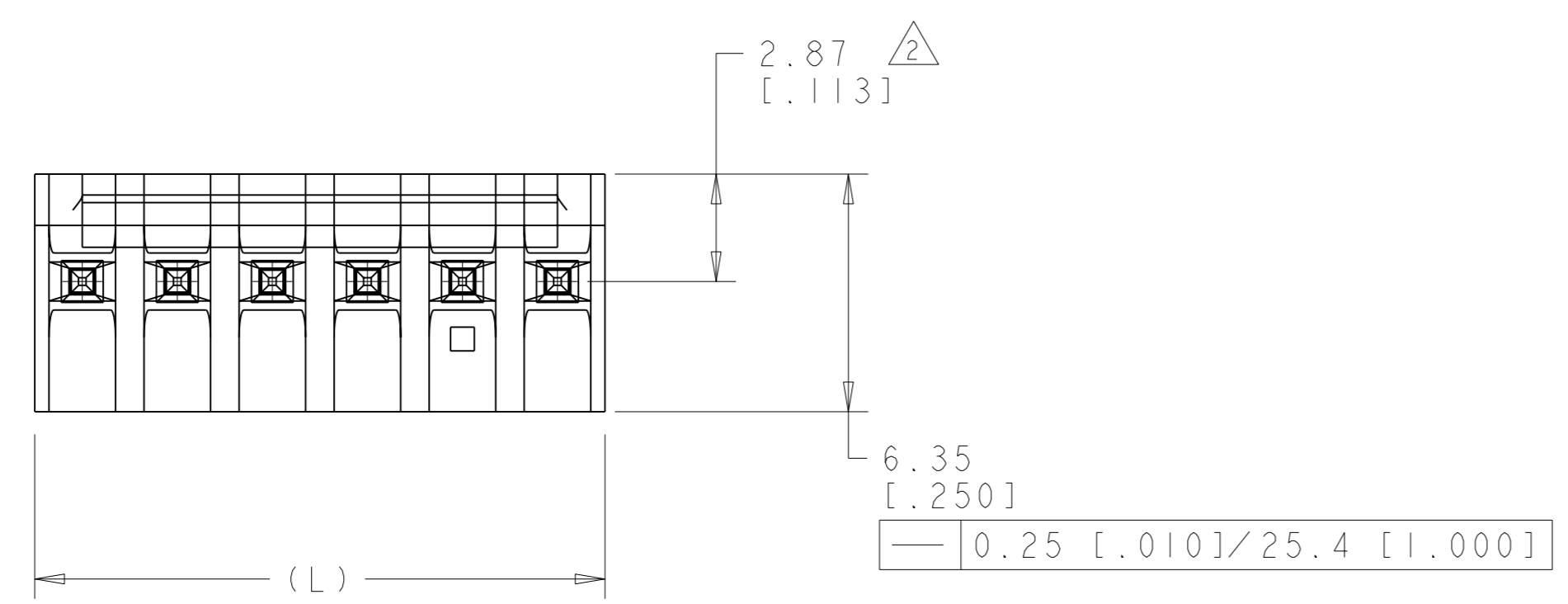


LOC	DIST	REVISIONS				
CM	00	REV	DESCRIPTION	DATE	DWN	APVD
		I	PRE-RELEASED	27-MAY-03	KW	DB
		A	REVISED PER ECO-05-013887	23NOV05	KW	DB



RECOMMENDED MOUNTING HOLE PATTERN Δ
 FOR 1.6 [0.063] THICK P.C. BOARD

- Δ POST WITHSTAND 13 NEWTONS (3 LBS) MIN AXIAL FORCE IN DIRECTION SHOWN WITHOUT DISLODGING.
- Δ MEASURED AT \square -A-.
- 3. PARTS COMPLY WITH SOLDERABILITY SPEC 109-11-2.
- Δ MATERIAL: HOUSING - PBT, FLAME RTD, NATURAL.
POST - COPPER ALLOY TIN PLATING.
- Δ COORDINATE DIMENSION APPLIES FROM CENTER OF ACTUAL FEATURE.
- Δ POSTS TO BE MEASURED WHEN STRIP HELD FLAT.
- 7. DIMENSIONS IN BRACKETS ARE IN INCHES.
- Δ TOLERANCES APPLY TO SOLDER SIDE OF BOARD.
- Δ ONE HOLE MAY BE UNDERSIZED 0.81-0.89 [0.032-.035] DIAMETER FOR ASSEMBLY RETENTION DURING PROCESSING.
- Δ AMP LOGO, UL, AND CSA TRADEMARKS TO APPEAR ON THIS SURFACE.
- Δ DIMENSION SHOULD BE 3.81 [0.150] MIN WHEN MATING WITH A MTA-100 CONNECTOR ASSEMBLY OR A CST 100
- 12. FINISHED PRODUCT TO HAVE <PBT> AND CHINA MARKINGS ON HOUSING - LOCATION AND SIZE AT VENDOR'S DISCRETION.

PRELIMINARY - NOT FOR PRODUCTION	15.24 [0.600]	6	647658-6
PRELIMINARY - NOT FOR PRODUCTION	12.70 [0.500]	5	647658-5
PRELIMINARY - NOT FOR PRODUCTION	10.16 [0.400]	4	647658-4
PRELIMINARY - NOT FOR PRODUCTION	7.62 [0.300]	3	647658-3
	5.08 [0.200]	2	647658-2
	L	NO OF POSN	PART NO

METRIC

DIMENSIONS: mm [INCHES]		TOLERANCES UNLESS OTHERWISE SPECIFIED:		DWN: K. WHITAKER 27MAY2003		Tyco Electronics	
0 PLC	±	0.130 [0.005]	±	CHK: D. BOSSI 27MAY2003	Harrisburg, PA 17105-3608		
1 PLC	±	±0.130 [0.005]	±	APVD: D. BOSSI 27MAY2003	NAME: MTA-100 HEADER ASSEMBLY, POST-LOCK, .025 SQUARE, STRAIGHT POST, TIN PLATED		
2 PLC	±	±0.130 [0.005]	±	PRODUCT SPEC	SIZE: A		RESTRICTED TO
3 PLC	±	±0.130 [0.005]	±	APPLICATION SPEC	CAGE CODE DRAWING NO: 00779		
4 PLC	±	±0.130 [0.005]	±	WEIGHT	©=647658		
ANGLES	±	±0.130 [0.005]	±	CUSTOMER DRAWING	SCALE: 1:1		SHEET 1 OF 1